



Not only the manufacturing arm of our award winning A-BUS system, Forte Electronics will soon cover our IR and Cable, with the same quality you expect from LTE.



The same quality and reliability you know from A-BUS now has a new name Forte A-BUS.



The ideal solution for retro fit, or where a wall module is not an option. With amplifier and full IR control built directly on the back of speaker.



You asked for a simple, easy to use Intercom. Well here it is. Built with the same precision and quality you would expect from the manufactures of A-BUS.



A new look for an antiquated system, Electronic Volume Control Coming Late 2008.



Andrews Audio, you have known the quality for years.



The newest addition to LeisureTech family. A range of cooling systems for every situation.



Quality, precision and reliability, when it comes to MRA systems and accessories, Russound has it covered.



An affordable speaker that sounds good. Listen for yourself. With a speaker to fit all your applications.



The high quality solution to your out-door sound needs. Speakers that will stand up to the harsh Australian Environment.



Universal remotes that not only easy to use, they're easy to program and they work.



Coming Soon
Wireless Audio Made Simple

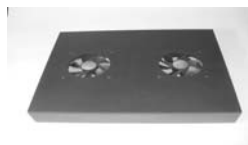


Active Thermal



Electronic House's 2007 Product of the Year, Cool Stack-3 is a 1-unit high hot air exhaust system for mid-size racks with mid-size heat loads! With four 120mm fans and 457mm deep, the Cool Stack-3 has the power – and the reach – to pull up to 70CFM of hot air out of tightly packed racks while generating very low noise levels 26dB. Heated air is normally exhausted through the perforated front panel, but exhaust fittings and tubing provided can move the hot air safely away to the rear if the rack is located in a closet or cabinet.

Cool Stack-3 is temperature-controlled, switching from a constant, very low "idle" speed, suitable for removing stand-by heat generated by components such as cable boxes and satellite receivers, to full speed as rack temperature changes. Temperature is sensed by a very small, remotely-located thermal switch which uses a strong magnet to secure itself to the components being monitored. A contact closure can also trigger the change to full speed, if desired. Internal movable jumpers can be set to satisfy the requirements of a particular installation, whether residential or commercial. In an alternate mode of operation, the constant-idle is defeated, and control is accomplished by a 12 volt trigger signal. A bracing bar is included to mount the unit to the rear rack rails and support the rear section of the Cool Stack-3. Complete with ducting.



Cool Stick-8— Specifically designed to solve the problem of quietly cooling flat-panel displays recessed into walls or cabinets. While no one device is suitable for ventilating every installation, Cool Stick-8 is the answer to many problems. Damage to expensive displays from heat is a real possibility; Cool Stick-8 can help you avoid this problem with its 8 quiet fans blowing a stream of air across

the back of a display panel. With mounting brackets (not shown) that give the installer flexibility in mounting, Cool Stick-8 is small enough to squeeze behind, below, or above displays in all but the tightest situations. A 25.4mm gap above & below the display is required. Protection for the panel, the owner, AND the installer! The Cool Stick-8 has eight fans, one power supply and one thermal switch for a high degree of reliability through redundancy. Miniature power supplies are used to ease installation in crowded enclosures. Something new! A Longer version, Cool Stick-16, is also available. Cool Stick-8 is useful for mounting behind components in tight quarters, such as between closely-spaced shelves. Super quiet 18dB moving 30 CFM.



Wall Mountable Remote Control

- Wireless keypad mounts anywhere
- Operates via RF* (No Pointing!)
*with optional base station
- Backlit, laser engraved buttons
- Operates on 4 "AAA" batteries
- LCD display for easy, text-based control

**Coming Soon
Order Now**



Helpful Tips For Creating Bullet-Proof RF Macros.

- 1 Test all of your IR codes line-of-sight FIRST, with the RF base-stations off.
This confirms your IR codes have loaded properly.
- 2 Test all Macros IR only line-of-sight, with RF bast-stations powered off.
This will show up any errors in the macro programing.
- 3 Try to create the worst possible RF interference scenario by being as creative as possible.
Lights, microwave, other RF transmitting devices, and home networks.
- 4 Test antenna mount position:
*Turn of RF base-station and confirm it recieves the signal from remote.
This will also confirm the RF part of the program is turned on.*
- 5 Optimizing RF range from RF reciever.
Locate antenna in the most centralised position possible.
- 6 Test component operation for IR overload.
This will show if the components are recieving too much IR from the base-station.

For a more detailed description on each point go to. www.leisuretech.com.au/techtips.htm

URC LiveTraining is back register by email.

**Email your details to
jason@leisuretech.com.au**



Smart Media Server 3 Channel (SMS-3)

The SMS-3 Media Server is so advanced it's not only smart it's intelligent

The SMS-3 has three independent music streams, which can integrate into virtually any multi-room audio system and is able to connect to a TV, local area network, monitor (keyboard & mouse) or Russound multi-room audio system



The SMS-3 is one very smart media server

RNET®

RNET is a two way technology that allows Russound components to communicate with each other.

gracenote
muze

Personal media assistant organises your music library once a CD is loaded, using Gracenote and MUZE Metafile. CD Information and cover is loaded directly to the hard drive. Each CD is recorded in the highest quality WAV file. As you listen to your selection of music the SMS-3 tags the tracks which are not listened to and as more CDs are added the tagged tracks are converted to MP-3 files. This allows for more music to be held on the system without reducing the sound quality of your favourite tracks. The system also allocates the most played songs to themes for quick and easy access. Available in 160G and 250G hard drives

The Hype About The LeisureTech Website

The Leisuretech website is handy and contains all the important information. Stay up-to-date with the latest news of new and exciting products, don't be left behind..

- Technical tips
- Downloadable pictures
- Product specifications
- Manuals, instructions
- Price list
- Catalogue, flyers
- Dealer locator
- Help, RMA's
- Installation examples

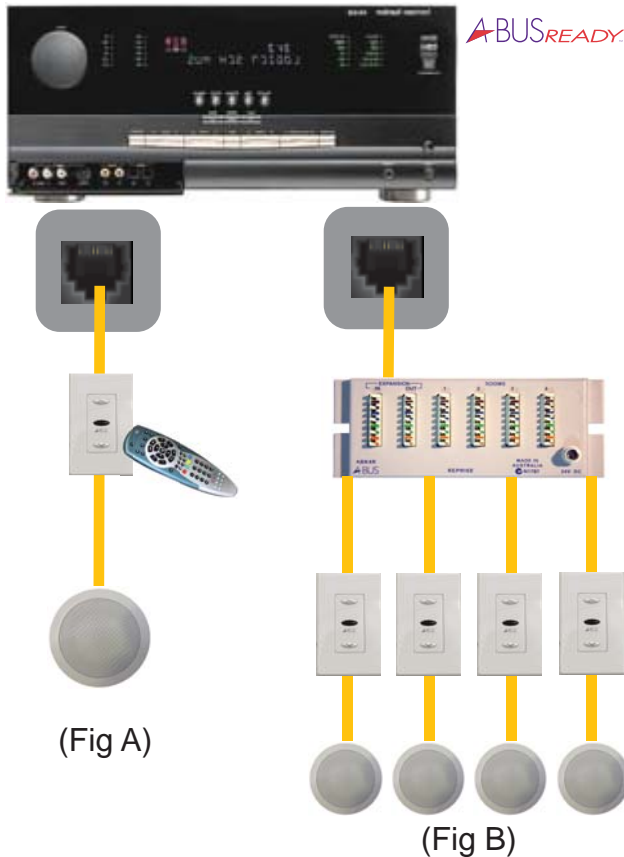
Later this year

- On line training
- Installation Guides
- On line ordering



Have you registered online yet?
Are you receiving updates?

www.leisuretech.com.au/mailer



(Fig A)

(Fig B)

A-BUS/READY available on AV Receivers and Multi-zone amplifiers for the following



Why A-BUS/READY ?

First of all lets look at what is A-BUS/READY? It is where a Home Theatre amplifier has an A-BUS port built into it. By using an A-BUS/READY amplifier your system can be expanded to a multi-room audio system.

Depending on the number of A-BUS/READY expansion ports on the back of the amp you can have up to 16 rooms. With IR control from each room. It's easy, it's simple and it's ready.

Benefits of A-BUS/READY

- Low cost multi-room audio solution
- Local amplification with control in that room
- IR capability to increase level of control
- Choice of wall module or on speaker control
- Ability to have a local input in each room
- It's all about choice and freedom
- No need to use a Hub
- No attenuator volume controls needed
- System runs cool
- Each zones (room) can be turned on/off as needed

Logo, Patent and Trademark Technical Guidelines for Correct Usage

To optimize brand impact and maintain a consistent visual presence, patent guidelines should always be adhered to whenever using the LeisureTech range of logos.

For full details of logo usage, <http://www.leisuretech.com.au/logotm.htm>





WHEN RENOVATING OR BUILDING A NEW HOME

When to use a structured-wiring Forté A-BUS hub:

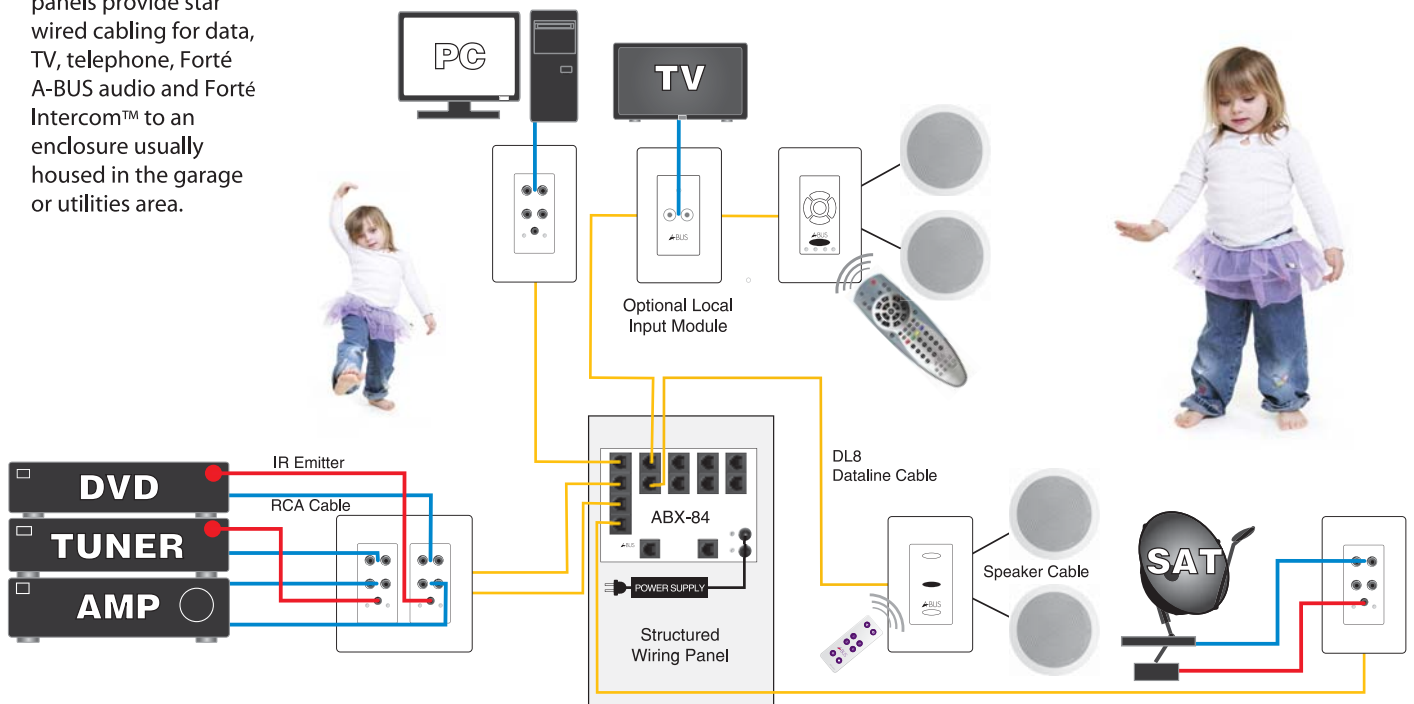
- Building or renovating and installing a structured wiring panel**
- Multi-zone with multiple source installations
- 4 zones or less (expansion hub is available for additional rooms)
- Hub is located in the structured wiring panel
- Source components are strategically located in each room or centrally located in a TV room or Home Theatre
- Infrared is required for remote control capability
- Integrating with an A-BUS/READY™, AV receiver

**Structured wiring panels provide star wired cabling for data, TV, telephone, Forté A-BUS audio and Forté Intercom™ to an enclosure usually housed in the garage or utilities area.

Why Forté A-BUS?



- Easy to install
- Plug & play, no programming is required
- A-BUS Dataline (DL8) cabling is low cost, and uses minimal speaker wiring from the keypad
- Amplified keypads are star wired to the hub and the power supply is centralized
- Keypads can fit into standard electrical wall boxes and come with screwless faceplates



Forté A-BUS products shown here are a just a small selection of the many componets available. Please refer to the Forté A-BUS section of www.leisuretech.com.au fo complete listing



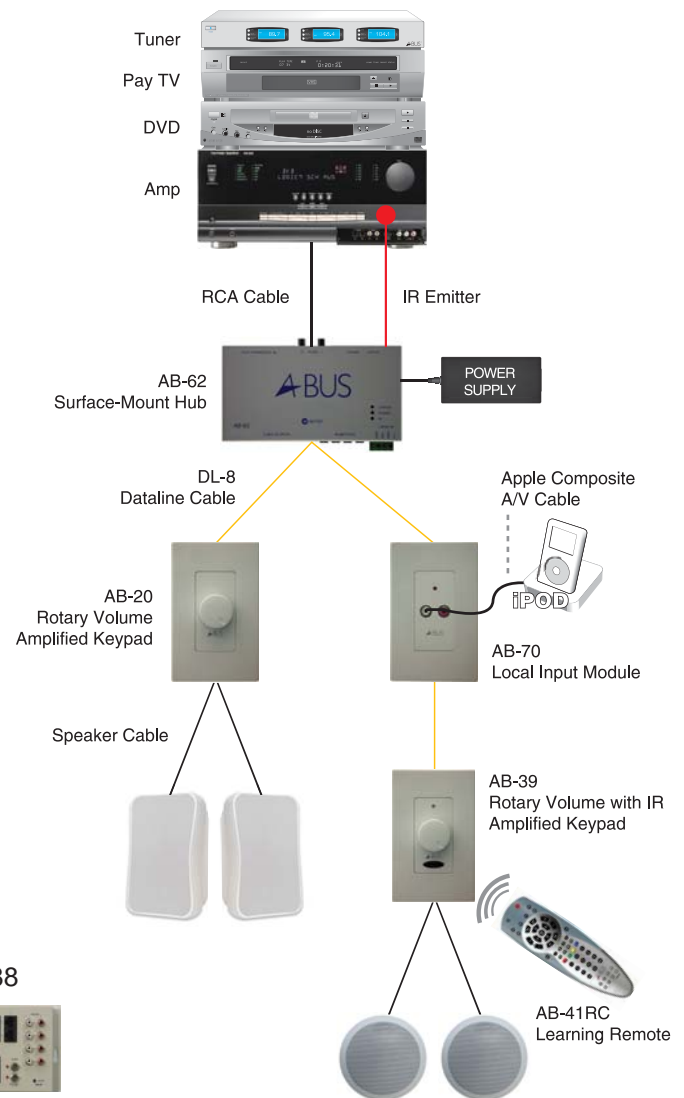
WHEN ENHANCING AN EXISTING HOME

When to use a surface-mount Forté A-BUS hub:

- Enhancing an existing home
- Single-source, multi-source or multi-zone system is desired
- 4 zones or less (expansion hub is available for additional rooms)
- Hub is located near TV or Home Theatre. Minimal to no heat, Forté A-BUS is ideal for use in a cabinet
- Source components are centrally located at the hub
- Forté Intercom™ is connected (single-source only)
- Integrating with an A-BUS/READY™, AV Receiver

With Your Existing HiFi.

Your existing hifi system or A-BUS/READY™, AV Receiver is the starting point for A-BUS. It can be as easy as one simple connection.



Why Forté A-BUS?



- Easy to install
- Plug & play, no programming is required
- A-BUS Dataline (DL8) cabling is low cost, and uses minimal speaker wiring from the keypad
- Amplified keypads are star wired to the hub

and the power supply is centralized

- Keypads can fit into standard electrical wall boxes and come with screwless faceplates

Hub selection



Forté A-BUS products shown here are a just a small selection of the many componets available. Please refer to the Forté A-BUS section of www.leisuretech.com.au fo complete listing

The Original “low Loss” cable designed specifically for the custom installation industry requirements

A hard fact of science for custom installers is that the longer a speaker cable is run, the greater the signal loss experienced. “Low Loss” was the first cable designed specifically for custom installation industry requirements. It uses advanced dielectric to reduce the signal losses caused by capacitance and inductance. Using 99.9% OXYGEN FREE premium grade, audio copper wire, low loss is enclosed in a high impact outer sheath to resist damage during and after installation. No wonder its distinctive yellow has become an industry standard for audio cables installed in homes and businesses throughout Australia and New Zealand. All *forté* cable is *forté* A-BUS approved...



SP-250

2 conductor 45 strands of 0.19 plain annealed copper
1.27mm sp (16AWG) Red & Black
Max D.C resistance at 20c 15ohms/km



SP-450

4 conductor 45 strands of 0.19 plain annealed copper
1.27mm sp (16AWG) Red, Black, Red/Yellow & Black/Yellow
Max D.C resistance at 20c 15ohms/km

AW-24

2 core 24 strands of .2mm plain annealed copper
Max D.C resistance at 20c : 26 ohms/km
One Leg Square - One Leg Round
Grey in colour



AW-48

2 conductor 48 strands of .2mm plain annealed copper
Max D.C resistance at 20c : 13.3 ohms/km
One Leg Square - One Leg Round
Grey in colour

AW-84

2 core 84 strands of .2mm plain annealed copper
Max D.C resistance at 20c : 7.4 ohms/km
One Leg Square - One Leg Round
Grey in colour



DL-8

Frequency range 1-100MHz, Attenuation 24dB
Cat-5e standards specifications.
Based on 568-A configuration

Q. So why pay the same price for a lesser quality cable?